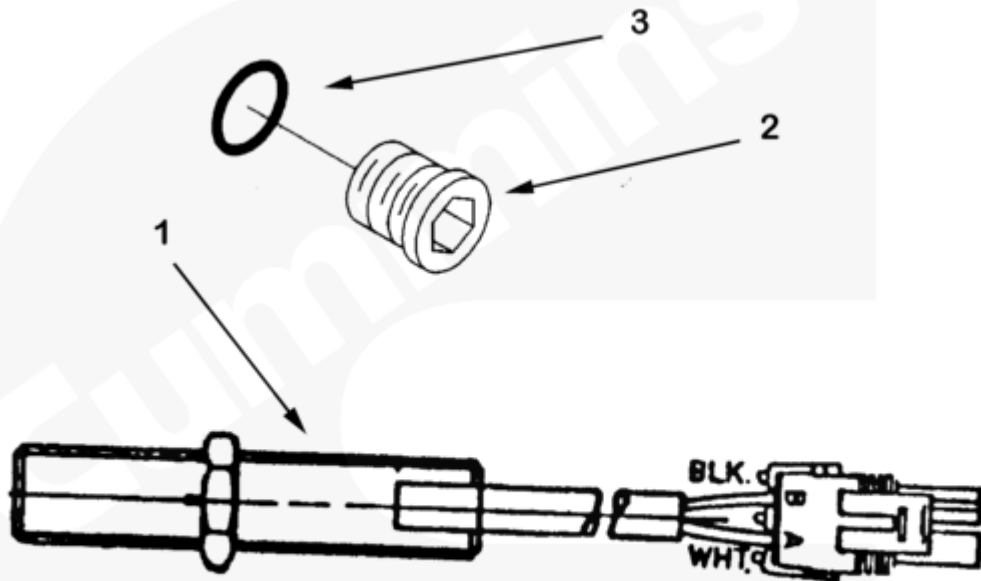




Parts Catalog - Option Detail

Electronic Parts Catalog - Option Detail				
Option	Group	Graphic	Film Card	Date
FH8712	16.01.1	fh601gi	K38	05-DEC-95
Engines	GTA38, K38, KTA38GC CM558, QSK38 CM2150 K106, QSK38 CM2150 MCRS, QSK38 CM850 MCRS			

©Cummins Inc



fh601gi

[SMALL](#) | [MEDIUM](#) | [LARGE](#)

Cart	Ref No	Part Number	Part Description	Required	Remarks
View My Cart					
		FH8712	Magnetic Pickup		5/8-18 UNF plug-in type...(More)
					magnetic pick-up for use with
					SAE no. '0', SAE #1, and SAE
					#2 flywheel housing. Required
					with Woodward 2301 electro-
					hydraulic governors, American
					Bosch governors, Cummins EFC
					governors, tachometers, and

					speed switches. Option
					includes the plug for the
					3/4-16 UNF magnetic pick-up
					location in the flywheel
					housing (both wet and dry).
<input type="checkbox"/>	1	3034572	Magnetic Pickup	1	
<input type="checkbox"/>		3046202	Threaded Plug	1	3/4 - 16 UNF.
	2	3040810	Threaded Plug	1	
<input type="checkbox"/>	3	3046201	O-Ring Seal	1	

© 2019 Cummins Inc., Box 3005, Columbus, IN 47202-3005 U.S.A.
Terms of Use and Disclaimers | Recommended System Requirements
Need Assistance? Please click on the Contact Us button in the top right corner of any page.